

EXCEL[®] *Premium*
excelhw.com.sg



HANGING SLIDE DOORS

Hanging slide doors come in glass, wood, metal, etc. They are specially designed to provide comfort, security, aesthetics and ease of entry to their users. We will take you through how the **EXCEL** hanging slide door works in the rest of the brochure.

FREE
Delivery &
Installation*

0%
Interest*
6 or 12 Months
installment plan
For UOB Credit
Card Holder

A SINGAPORE BRAND

**Terms & Conditions Apply*



EXCEL with its humble beginnings started from Singapore, it was established in 1998 by **Mr. Kevin CHOA**, who began as an equipment provider in Singapore with a humble 50 items. Today, the **EXCEL** brand with more than a century experience has continued to deliver new levels of experience to her clients across the globe. With its reputation and commitment to quality, **EXCEL** has made it a priority to meet and surpass our customers' expectations. From equipment to furniture, the **EXCEL** brand has conquered them all bringing quality items that fit into any user's experience. As of now, **EXCEL** produces 12,000 items of unmatched quality to more than three countries in Asia, namely; China, Singapore, Malaysia, Philippines, Thailand, Fiji, Korea, etc.

The **EXCEL** vision is to create an enhanced everyday life for the countless humanities. Our business idea is to offer an extensive varieties of well-designed, functional residential/commercial hardware products. We work extremely hard to achieve quality at affordable prices for our customers through optimizing our entire value chain, discourages over-profiteering by middleman, building long-term supplier relationships, financing in highly automated production and enjoy economies of scale by producing large volumes.

Some of its unique features are;

- Less Noise or friction when sliding
- Tighter seal to avoid any part jumping out during use
- Security of anti-lift blocks, to prevent unauthorized lifting of the door or removal

EXCEL-T206S Hanging Sliding Door Soft Close System



Our latest **EXCEL** Hanging Sliding Door Soft Close System model is a patented product built with additional soft-closing feature which creates noise-free and smooth sliding effect. The advanced silence damper and hanging installation makes a perfect combination for all wardrobes. Other functions includes high strength load bearing, up and down sync, auto hook, auto position and auto reset. The damper is usually installed together with stopper, down parts are designed especially so installation can

be easy. The height of the door can be adjusted only by screw driver from one side, thus highly simplifies the adjustment.

By doping high strength bearing, the loading capacity per door is kept at maximum 80kg and is applied to thickness of door from 1 - 46mm. Lastly, the upper hanging parts with deadlocks functions can avoid jumping out of rail, so it has great anti-jumping function and silent performance.



EXCEL-T206S Hanging Sliding Door Soft Close System

The hanging sliding door soft close system is modeled as earlier mentioned around the X and O design of sliding doors. Be it two or four doors; the soft close system ensures less noise and smooth close when attempting to close the door.

With its high strength low bearing and up and down auto synchronization, it provides a tighter grip on the door for it to move in a sliding motion. Also, with its weight of 80kg and thickness of about 16-46mm, it would seem the hanging sliding door would soon jump out of its rail, but it doesn't.

With our anti-jump and anti-lifting features, our doors cannot be glided out or completely removed without following the due process set aside for it.

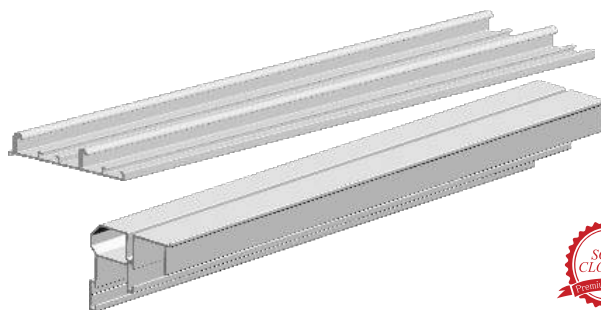
Lastly, our doors are simply built to withstand any climatic conditions.



The product can be carried easily from any position to another using the silver handle at the top. It can also be slid easily from each of the two sliding doors with one or none remaining fixed. The damper and rims at the top provide for easy movement.



Angle View



EXCEL-T206S 2.5M/3M Top And Bottom Aluminium Track

EXCEL-T206S-2.5M : \$88.00

EXCEL-T206S-3M : \$98.00

(Loading Capacity: 80Kg, Soft-Closing)



Top View



EXCEL-ACC 2 Door 2 Side Hanging Sliding Door Soft Close System

EXCEL-T206S-2D ACC : \$208.00

(Loading Capacity: 80Kg, Soft-Closing,
2 Drives With / 4 Pcs Upper Damper + 4 Pcs Down Damper)



EXCEL-ACC 3 Door Hanging Sliding Door Soft Close System

EXCEL-T206S-3D ACC : \$238.00

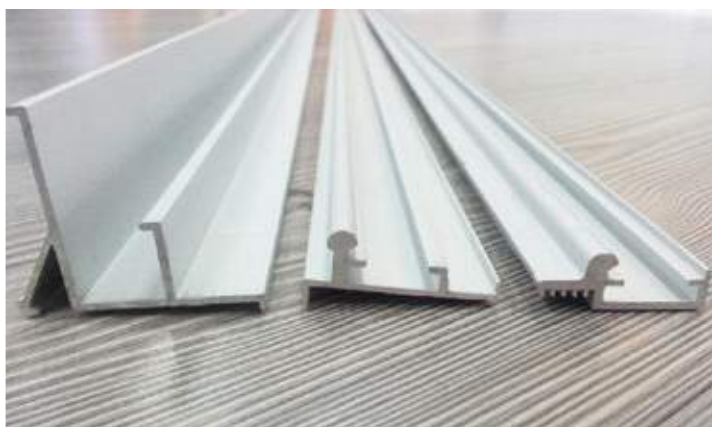
(Loading Capacity: 80Kg, Soft-Closing,
2 Drives With / 4 Pcs Upper Damper + 4 Pcs Down Damper)

EXCEL-T208S

Soft-Close Heavy Door Slide System

Soft close heavy door slide system comes with 8 dampers, with 4 dampers for upper runner system, 2 for lower runner left system and 2 for lower runner right system. It also comes with 8 runners for the upper and lower running systems: 2 for upper runner left/right, 2 for lower runner left/right, 2 for upper runner inner right/left and 2 for lower runner inner right/left each.

All these are envisioned to give the perfect user experience in taking care of your closet.



EXCEL-T208S-3M : 3M Top and Bottom Aluminium Track Only

EXCEL-T208S-3M : \$110.00

(Max. door weight up to 60kg per door)



EXCEL-T208S-ACC : 2 Door 2 Side Soft Close Heavy Door Slide System

EXCEL-T208S-ACC : \$222.00

(Loading Capacity: 60Kg, Comes With Door, 2 Drives With 4 Pieces Upper Damper + 4 Pieces Down Damper)



*All Prices Are Inclusive Of 7% GST
*Terms & Conditions Apply



EXCEL-T310S 3M Aluminium Track

EXCEL-T310S-3M : \$66.00
(Soft Closing)



EXCEL-ACC For Decorated Cabinet Sliding Door System

EXCEL-T310S-ACC : \$66.00
(Capacity:15kgs, Soft Closing, 4 pcs/set)

EXCEL-T310S Slide System

New design for the wheel struction, no need to open the groove for the wheel and no need to open the slot for the tracks. It can be used for the wooden sliding door/glass sliding door or decoration cabinet and bookcase.

It has comfortable and safe soft closing function, improve the level of furniture and expand the life of furniture. With best silent performance by high quality German imported POM material runner, which is high-strength ball bearing runner.

Soft closing system with restoration function, and anti-jump and automatic hook coupling function (anti-decoupling).

Loading capacity of door: 15kg.



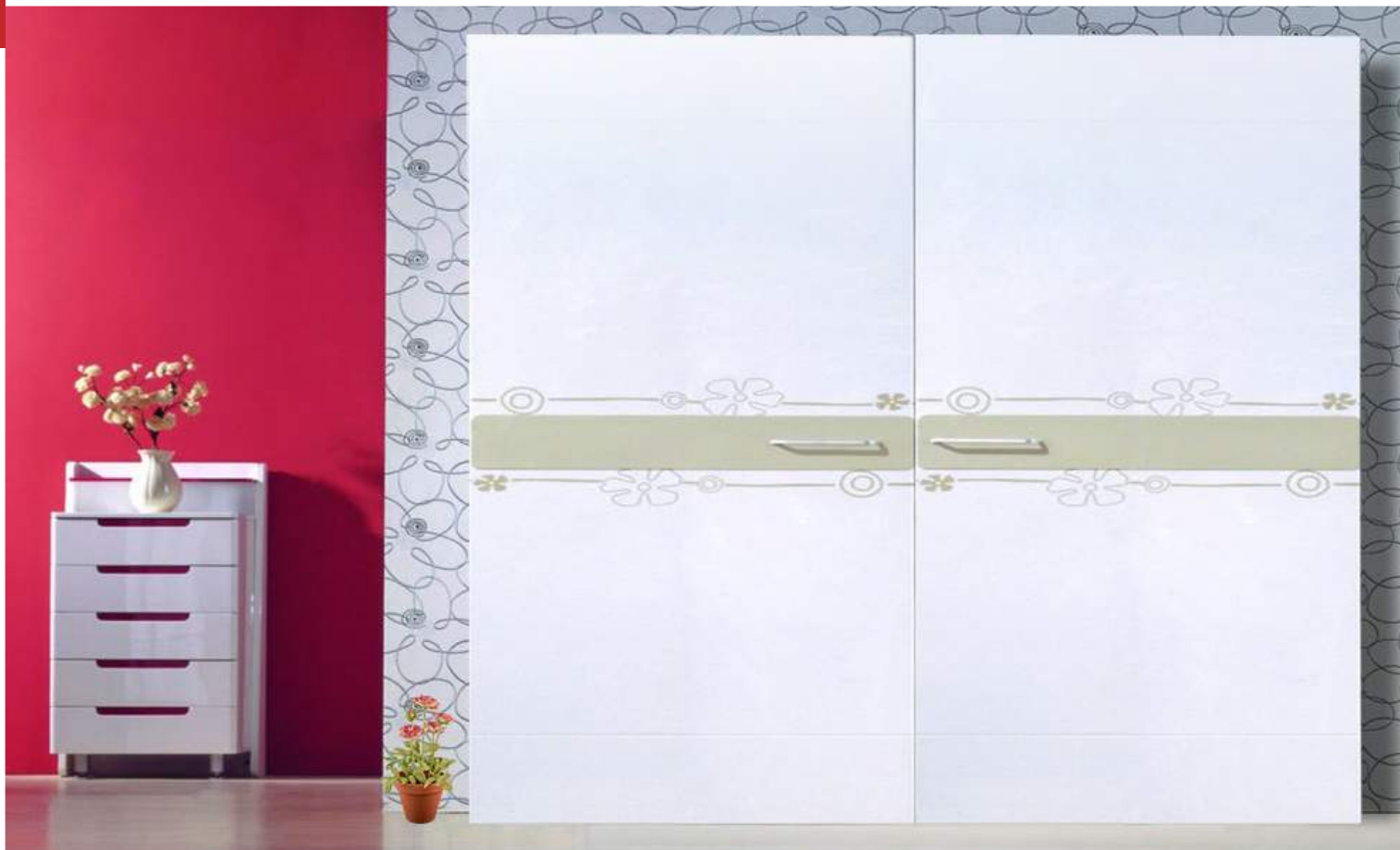
EXCEL-T310S Damper In The Track

EXCEL-T310S-DAMPER : \$44



EXCEL-T310S Fitting For Aluminium

EXCEL-T310S-FITTING : \$12



EXCEL-T801S

In-Line Sliding Door System

With a damper in the track that is aluminum coated with a decorative set, the sliding system is finely set under this fluid and lubricating damper to enable smooth movement between doors and closets with less noise.

It also gives the sliding system enough balance to hold the door firmly and avoid any jump situations that might occur.

Two doors close at one piece, straightforward and flawless.

- Stack limit: 60KG for each door with high-quality ball direction
- Door shutting with damping capacity.
- Naturally eliminating flotsam and jetsam in the rails guaranteeing smooth sliding of the roller.
- Fits for closet with length ranging from 15000mm to 3000mm
- Application: Wooden door, outline door, aluminum outline
- Door with thickness from 18mm to 45mm



EXCEL-In-Line Sliding Door System

EXCEL-T801S-2M : \$2,098.00

EXCEL-T801S-2.5M : \$2,209.00

EXCEL-T801S-2.7M : \$2,209.00

EXCEL-T801S-3M : \$2,209.00

(Loading Capacity: 60Kg, Soft-Closing)



EXCEL-Multifunction Concealed Handle

E287-140 BSN : \$20.00



**All Prices Are Inclusive Of 7% GST
Terms & Conditions Apply

www.excelhw.com.sg



EXCEL-T809S Soft Close Sliding Door System



x 4 pcs

x 4 pcs



x 1 pkt



EXCEL-3M Upper and Bottom Track Only For T809S-ACC

EXCEL-T809S-3M : \$99.00
(Loading Capacity: 40Kg, Soft-Closing)

EXCEL-ACC For 2 Door Soft Close Sliding System

EXCEL-T809S-ACC : \$109.00
(Loading Capacity: 40Kg With 4pcs Damper)



Sliding Door Tracks

100 TRACK-1.90 : \$20.00
100 TRACK-2.90 : \$28.00
100 TRACK-5.85 : \$67.00
 (Aluminium, Satin.
 Compatibility for 100.8 ACC,
 106 ACC, AK22)



AL Glass Clip For 100.8

100 GLASS CLIP : \$32.00
 (125 x 8-12, Copper, Polished
 Chrome. Compatibility for
 100.8 ACC, 106 ACC, AK22)



Sliding Door Stopper

AK22 : \$4.00
 (Steel, Galvanized.
 Compatibility for 100.8 ACC,
 106 ACC, AK22)



Sliding Door 100.8ACC For 1 Door

100.8 ACC : \$28.00
 (Maximum Door Weight: 80kg)



**ALU Sliding Door Roller,
 Anti Jump**

103 ACC. : \$7.00
 (Maximum Door Weight: 60kg)



**Sliding Door Tracks,
 103 Track (3.66M)**

103 TRACK-3.66 : \$18.00



**Sliding ACC, 80KG,
 Stainless Steel**

106 ACC : \$26.00
 (Maximum Door Weight: 80kg)



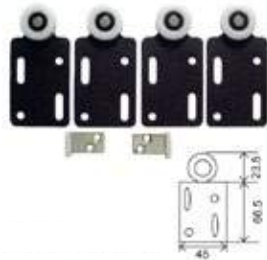
**Sliding Door ACC, 80KG,
 Stainless Steel**

107 ACC. : \$7.00



**ALU Sliding Door Roller,
 Anti Jump**

102 ACC. (A) : \$8.00
 (Maximum Door Weight: 50kg)



**Sliding Door 108 Acc For 2
 Doors**

108 ACC : \$9.00
 (Maximum Door Weight: 30kg)



**IREX-108 Track, Sliding Door
 Tracks (2m, 4m, 6m)**

108 TRACK 2-0 : \$39.00
108 TRACK 4-0 : \$73.00
108 TRACK 6-0 : \$117.00



**IREX-Sliding Door Fittings
 (5ft, 6ft & 8ft track+accessories)**

108-5 : \$26.00
108-6 : \$28.00
108-8 : \$39.00
 (Maximum Door Weight: 30kg
 Aluminium/Steel/Poly)





Sliding Door Wheel (2 doors) 4 tops & 4 bottoms - White
AK680-WHT : \$9.00



IREX 680 Double Track 3.6m
AK680DU-3.6 : \$20.00
 (Maximum Door Weight: 50kg Steel/Poly)



IREX 680 Single Track 3.6m
AK680U-3.6 : \$8.00
 (Maximum Door Weight: 50kg Steel/Poly)



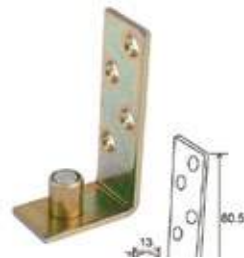
White Guide Stopper
AK312 : \$3.00



Rotating Guide
AK33-1/2 : \$8.00
 (L74 x W23 x Ø14)



Steel Guide
AK31-1/2 : \$4.00
AK31-3/8 : \$4.00
 (Ø1/2", Ø3/8", Steel/Brass)



Steel Guide - "L"
AK32 : \$5.00



Soft Closing Sliding Door Set With 4 Roller

EXCEL-SL940S W/900-TRACK3M : \$115
(Suggest Loading Weight: 45kg)

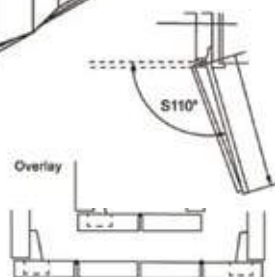
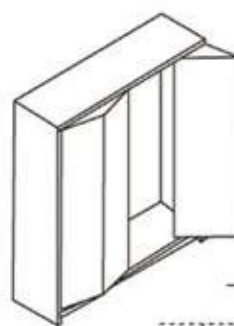
Soft Closing Sliding Door Set With 8 Roller

EXCEL-SL980S W/900-TRACK3M : \$127.00
(Suggest Loading Weight: 65kg)

EXCEL-Sliding Door Track (2M, 3M)

EXCEL-SL900-TRACK-2M : \$58
EXCEL-SL900-TRACK-3M : \$80

E200 Folding Door System C/W Upper & Bottom Track (2M)



Components for 2 pairs of door (Complete Set)



IREX-200 Folding Door System For 2 Folding Door - 2M Track

E200 : \$154
(Maximum Door Weight: 30kg/Pair, Door Thickness: 16-22mm, Door Width: 250-400mm, 2M Upper & Bottom Track, Steel/ Poly/ Aluminium)

EXCEL-STG-SGWS100

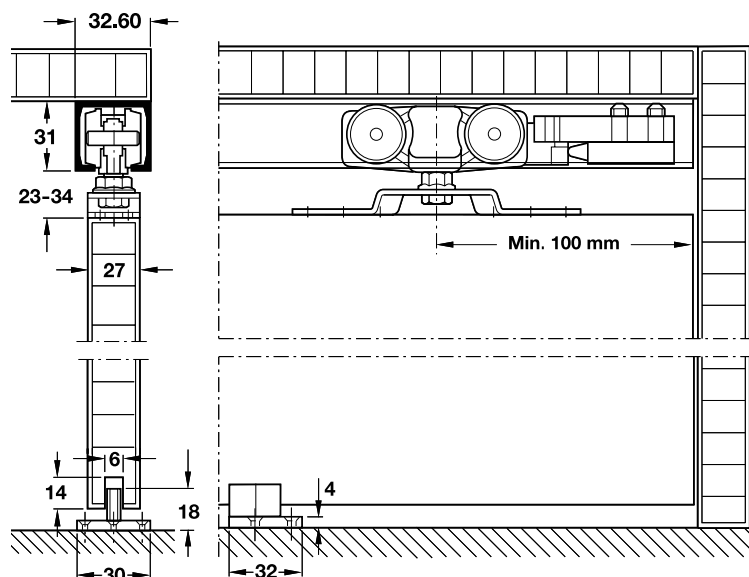
100KG Silent Sliding Door Hanger Set



100KG Silent Sliding Door Hanger Set

EXCEL-STG-SGWS100 : \$90.00

(Maximum Per Door Weight: 160kg, Minimum Door Thickness: 35mm, Maximum Door Height: 2500mm, 30 sets/ctn)

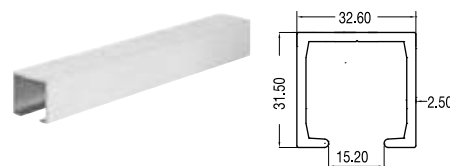


Features

- For 1- and 2-Leaf sliding doors
- Height adjustable door leaves
- Suspension with supporting flange
- Self cleaning running track

Set Contains

- 2 pcs nylon roller
- 2 door stop
- 1 lower guide
- 4 steel screws and nuts for door stop
- 1 open-end spanner
- 3 steel screw for lower guide
- 12 steel screw for suspend bracket



SGWS1000 Aluminium Track

EXCEL-STG-SGWS1000-2M : \$57.00

EXCEL-STG-SGWS1000-3M : \$85.00

EXCEL-STG-SGWS1000-4M : \$114.00





EXCEL-STG-SGW160-WD Silent Sliding Door Hanger Set - 160KG



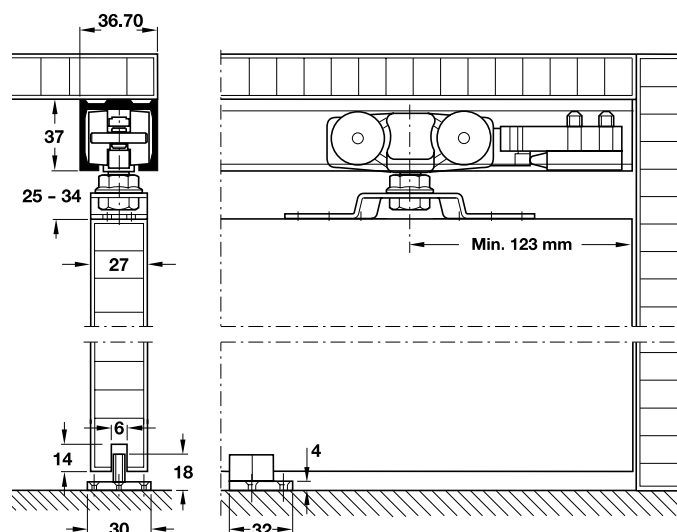
Silent Sliding Door Hanger Set - 160KG

EXCEL-STG-SGW160-WD : \$154.00

(Maximum Per Door Weight: 160kg, Minimum Door Thickness: 35mm, Maximum Door Height: 2500mm, 30 sets/ctn)

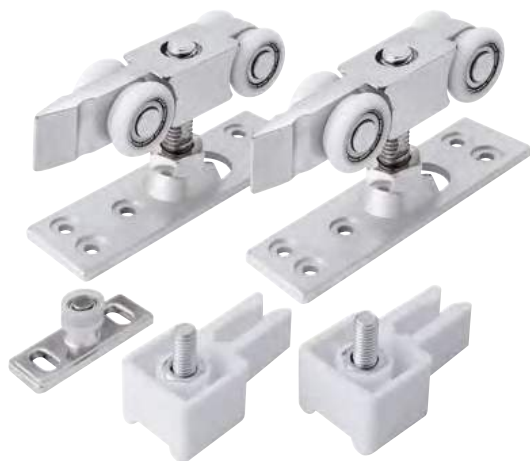
Features

- For 1- and 2-Leaf sliding doors
- Height adjustable door leaves
- Suspension with supporting flange
- Self cleaning running track



Set Contains

- 2 pcs black nylon roller
- 2 door stop
- 1 lower guide
- 4 steel screws and nuts for door stop
- 1 open-end spanner
- 3 steel screw for lower guide
- 12 steel screw for suspend bracket

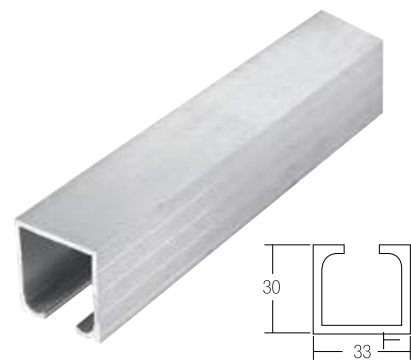
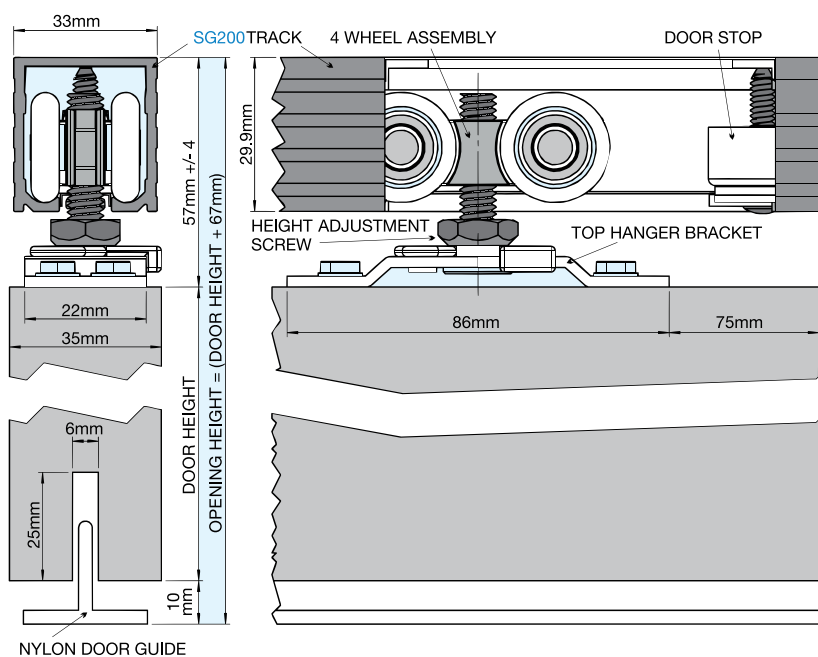


SG2100 Sliding Door Gear

EXCEL-STG-2100 : \$50.00
 (2 Roller Sets, 2 End Stopper & 1 Nylon Bottom Roller, Zinc Diecast/ Nylon, Door Weight: 100Kg)

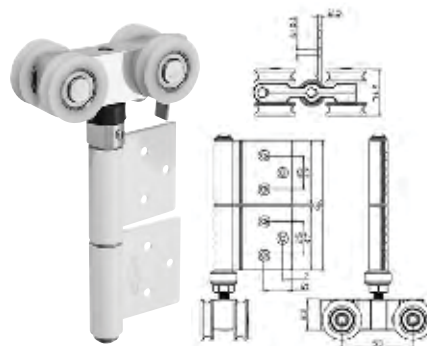
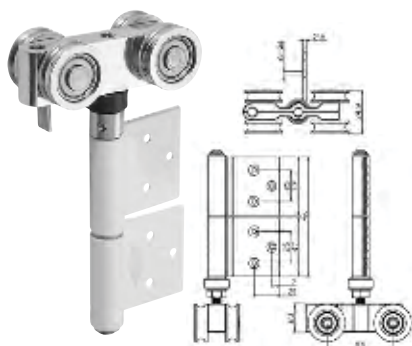
SG2200 Sliding & Folding Door Gear

EXCEL-STG-SG2200 : \$39.00
 (2 Roller Sets, 2 End Stopper & 1 Nylon Bottom Roller, Zinc Diecast/ Nylon, Door Weight: 50-80Kg)



SG200 Aluminium Track

EXCEL-STG-SG200-2M : \$44.00
EXCEL-STG-SG200-3M : \$65.00
EXCEL-STG-SG200-4M : \$85.00
EXCEL-STG-SG200-5M : \$109.00
EXCEL-STG-SG200-6M : \$129.00
 (Aluminium Track)



WFD573 Top Roller With Side Hinge

EXCEL-STG-WFD573-WHITE/BLACK : \$124.00
 (Top Roller With Side Hinge (4 Brass Wheel), Aluminium, Black/ White, 100pc/ctn)

WFD583 Top Roller With Side Hinge

EXCEL-STG-WFD583-WHITE/BLACK : \$95.00
 (Top Roller With Side Hinge (4 Nylon Wheel), Aluminium, Black/ White, 100pc/ctn)



ALUMINIUM GLASS SLIDING DOOR

EXCEL Aluminium Glass Sliding Door

\$158/FT

Glass Door Colors:



- 215(Frosted)
- 216(Frosty White)
- 217(Lime Green)
- 218(Grey)
- 219(Champagne Gold)
- 220(Blue)
- 950(Black)
- 951(White)
- B31(Dark Red)
- B32(Dark Green)
- B34(Strong Blue)
- B36(Strong Orange)
- B76(Dark Grey)
- B80(Dark Brown Orange)
- B81(Dark moderate Orange)
- B82(Grayish Yellow)
- B02(Grey W/ Thin Vertical Stripes)
- B05(Transparent Glass w/ Dots)
- B11(Grey W/ Thick Vertical Stripes)
- 214(Dark Grayish Pink)
- WG1(Dark Brown Wood)
- WG2(Wood Texture Color)
- FB1(Leather Color)
- 662(Frozen Transparent Texture)

Frame Colors:





What Everything Means To You

In summary, after looking at the hanging sliding door and its components, we went ahead to define how the Excel sliding door works, as well as mentioning the components that make it work smoothly and expressly.

We also highlighted the features that have been added to the designs to enhance customers trust in our ability as well as the quality of our products.

With our anti-jump security, environment-friendly doors, we offer a world class quality door to fulfill all your needs.

EXCEL. Quality Has A Name.



www.excelhw.com.sg

Join **EXCEL** on Facebook and get frequent updates on its latest products and services! Or visit **EXCEL** at www.excelhw.com.sg for its extensive product catalogue and lively, information interactive videos.

Like us now to get promo code to enjoy special offer on your next order.



Do find out more please go to excelhw.com.sg. You may email us at sales@excelhw.com.sg or call us at (65) 6853 3113 for more enquiries.

EXCEL Hardware Pte. Ltd. (Head Office, North)
ELKY HPL Pte. Ltd.
 10 Admiralty Street #03-52/51/34
 Northlink Building, Singapore 757695
 Tel: (65) 6853 3113 | Fax: (65) 6853 3003
 Email: sales@excelhw.com.sg

EXCEL Sales & Marketing (JB) Sdn. Bhd.
(Johor Bahru Branch)
 No. 2 Jalan Mutiara Emas 5/3 Taman Mount Austin
 81100 Johor Bahru Johor Malaysia
 Tel: (607) 354 9113 | Fax: (607) 353 9003
 Email: salesjb@excelhw.com.my

EXCEL Hardware Pte. Ltd. (East Branch)
 Blk 1085 Eunos Avenue 7A
 #01-48 Singapore 409535
 Tel: (65) 6745 3113 | Fax: (65) 6745 3112
 Email: sales@excelhw.com.sg

Foshan YIXIAO Hardware Co., Ltd
 No. 9 Guangda Industrial Zone Lvl 3
 Leliu Town Shunde District Foshan City
 Guangdong Province China

Visit our showroom:

MAIN OFFICE / EAST BRANCH
 Monday to Friday: 8.30am to 5.30pm
 Saturday: 8.30am to 12.30pm

Note:
 The specifications and color illustration in this catalogue only show a general idea of possible combination. Actual dimension and other detail may also be possible. For more information, please contact us directly. Prices subject to changes without prior notice. Terms & Conditions apply.

Brands

Association

Awards & Certification

Featured In

Online Presence

World Class Manufactures & Suppliers